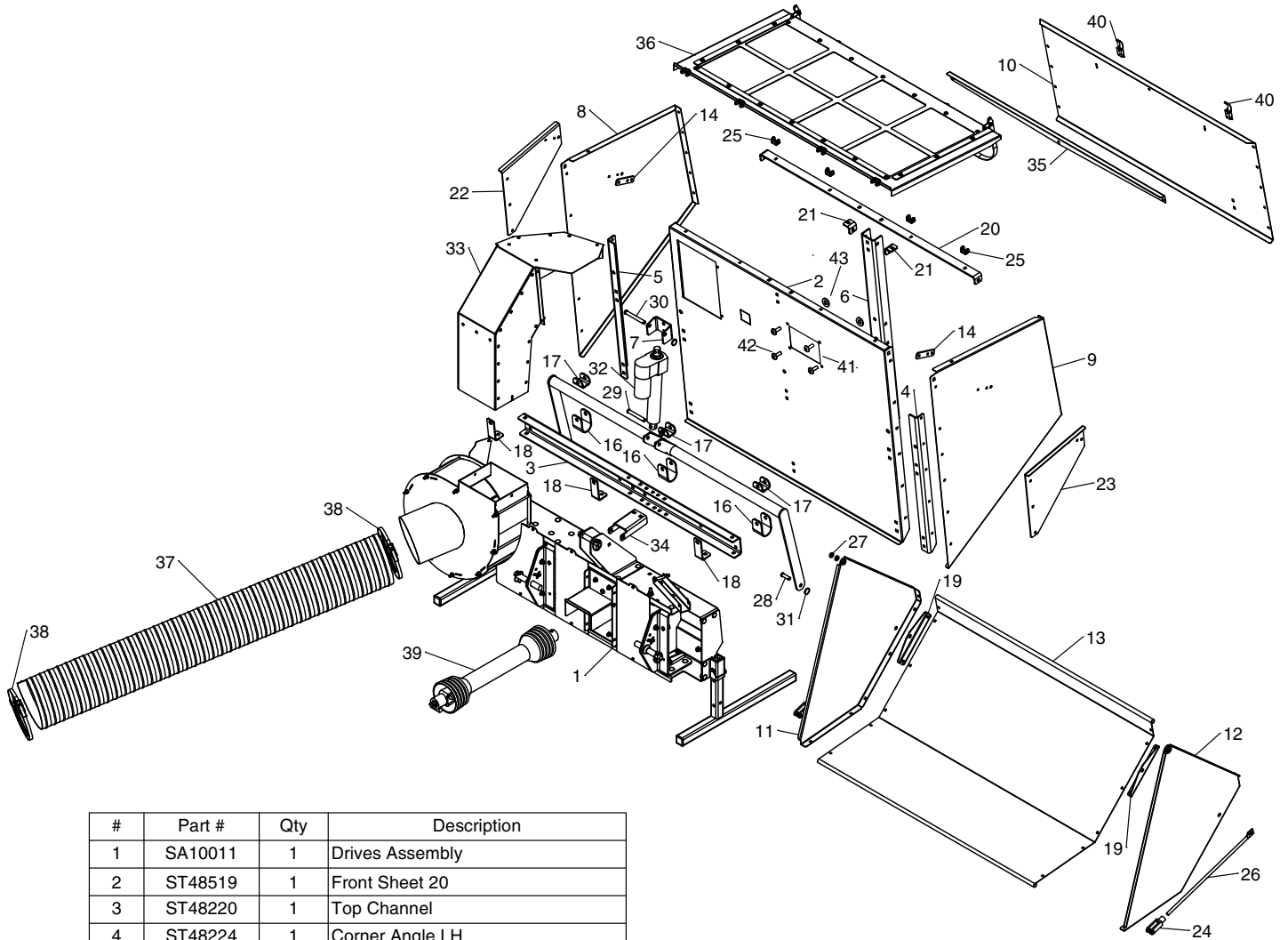


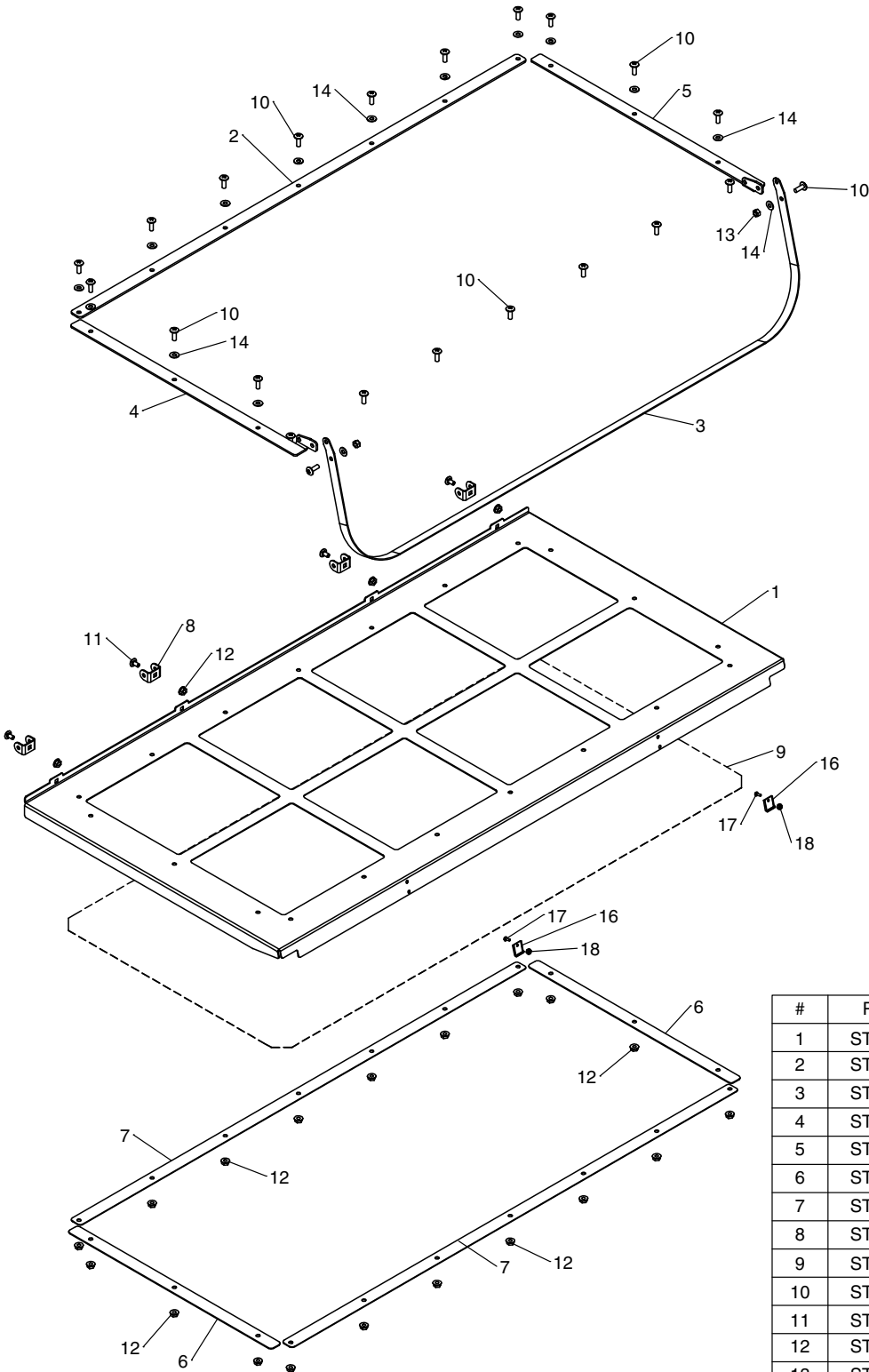
# TK95086 - 20 Bushel Collection System with Vacuum



#	Part #	Qty	Description
1	SA10011	1	Drives Assembly
2	ST48519	1	Front Sheet 20
3	ST48220	1	Top Channel
4	ST48224	1	Corner Angle LH
5	ST48223	1	Corner Angle RH
6	ST48254	1	Center Channel
7	ST48385	1	Top Actuator Clevis
8	ST48225	1	Side RH 20
9	ST48226	1	Side LH 20
10	ST48380	1	Rear Top 20
11	ST48228	1	Tailgate Side RH WA
12	ST48229	1	Tailgate Side LH WA
13	ST48231	1	Tailgate 20
14	ST48133	2	Pivot Reinforcement
15	ST48513	1	Pivot Shaft WA
16	ST61011	3	Pivot Tube Saddle
17	ST61010	3	Tube Pivot Cap
18	ST48253	3	Hinge Support
19	ST48257	2	Push Brace
20	ST48258	1	Top Support
21	ST48259	2	Support Angle
22	ST48233	1	Side Brace RH
23	ST48234	1	Side Brace LH
24	ST50224	2	Yoke Clevis End 1/2"

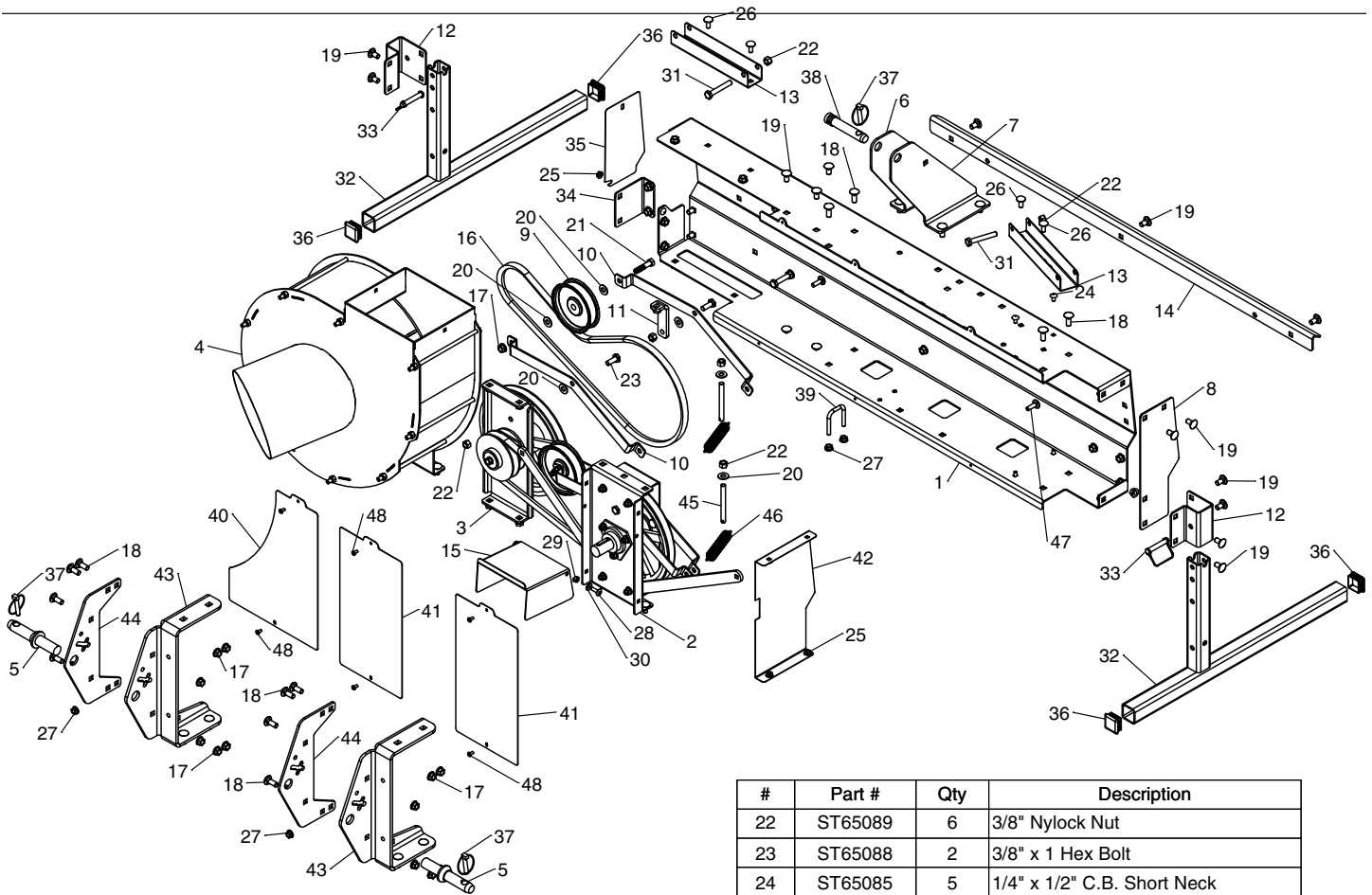
#	Part #	Qty	Description
25	ST48275	4	Hinge
26	ST48277	2	Lift Rod MCS 20
27	ST48176	4	Plastic Washer
28	ST50227	2	1/2" x 1-1/2" Clevis Pin
29	ST50382	1	1/2" x 3-1/2" Clevis Pin
30	ST50120	1	1/2"x4" Pin for Actuator
31	ST50226	4	Circle Cotter
32	ST48288	1	Actuator 6"
33	SA10015	1	Chute Assembly
34	ST48421	1	Top Pin Support
35	ST48427	1	Rear Brace
36	SA10016	1	Lid Assembly
37	ST48433	1	8" Hose
38	ST48434	2	8" Hose Clamp
39	ST48437	1	PTO Shaft
40	ST65240	2	Over Center Latch
41	ST48678	1	Window
42	ST65289	4	Rivet
43	ST65199	4	Flat Washer

# SA10016 - Lid Assembly



#	Part #	Qty	Description
1	ST48530	1	TKV20 Lid
2	ST48429	1	Cover Support Front
3	ST48432	1	Cover Support Rear
4	ST48431	1	Cover Support LH
5	ST48430	1	Cover Support RH
6	ST48423	2	Mesh Support Short
7	ST48422	2	Mesh Support Long
8	ST48275	4	Hinge
9	ST48435	1	Screen
10	ST65016	22	1/4" x 3/4" Truss Head Bolt
11	ST65085	4	1/4" x 1/2" C.B. Short Neck
12	ST65073	24	1/4" Flange Nut
13	ST65017	2	1/4" Nylock Nut
14	ST65154	15	1/4" Washer
15	ST48381	1	Fabric Cover (not shown)
16	ST65241	2	Latch Catch
17	ST65238	2	#6-32 x 3/8" Pan Head
18	ST65239	2	#6-32 Nylock Nut

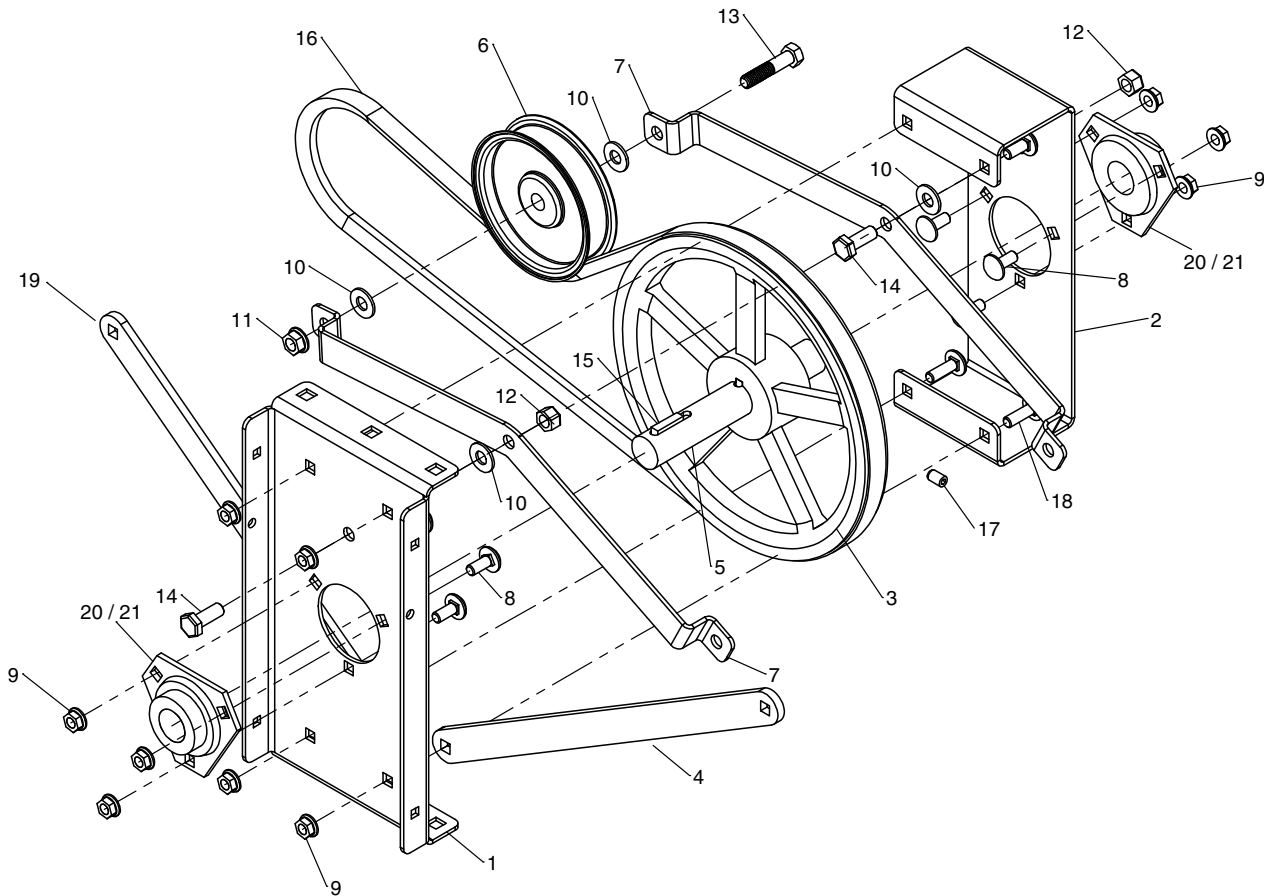
# SA10011 - Drives Assembly



#	Part #	Qty	Description
1	ST48527	1	Drives Frame
2	SA10012	1	Center Drive Assembly
3	SA10013	1	Mid Drive Assembly
4	SA10014	1	Blower Assembly
5	ST61509	2	Cat 1 Pin
6	ST48404	1	Top Pin Bracket RH
7	ST48405	1	Top Pin Bracket LH
8	ST48406	1	Side Plate
9	ST48528	1	Idler Pulley 4.5"
10	ST48390	2	Idler Bracket
11	ST48408	1	Idler Bracket Support
12	ST48411	2	Leg Support
13	ST48414	2	Leg Storage Channel
14	ST48428	1	Tailgate Support
15	ST48426	1	PTO Shield
16	ST48529	1	BK52 Belt, Carlisle Aramax
17	ST65012	51	3/8" Flange Nut
18	ST65013	22	3/8" x 1" Carriage Bolt
19	ST65081	26	3/8" x 3/4" Carriage Bolt
20	ST65003	6	3/8" Flat Washer
21	ST65166	1	3/8" x 1-3/4" Hex Bolt

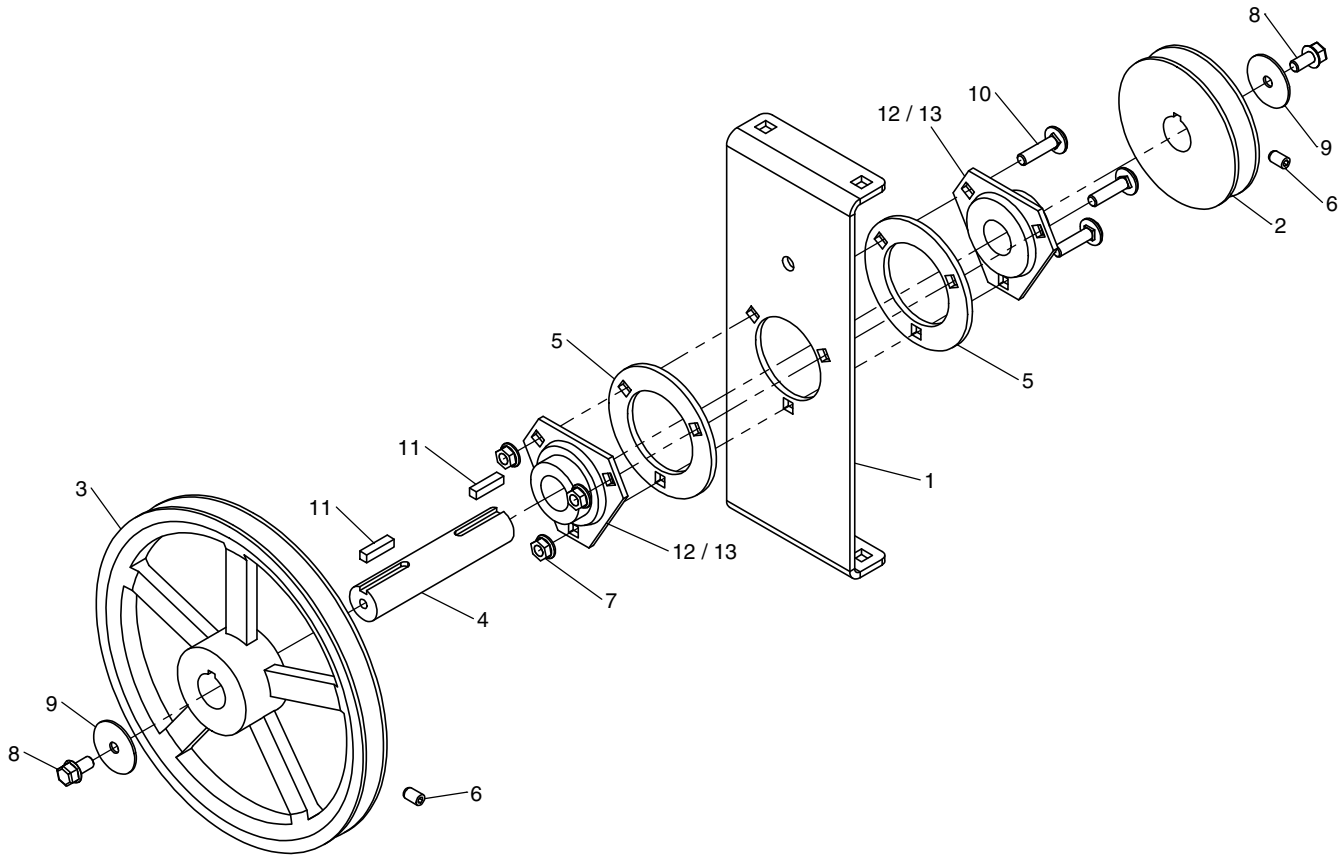
#	Part #	Qty	Description
22	ST65089	6	3/8" Nylock Nut
23	ST65088	2	3/8" x 1 Hex Bolt
24	ST65085	5	1/4" x 1/2" C.B. Short Neck
25	ST65073	5	1/4" Flange Nut
26	ST65006	4	5/16" x 3/4" Carriage Bolt
27	ST65008	10	5/16" Flange Nut
28	ST65016	3	1/4" x 3/4" Truss Head Bolt
29	ST65017	3	1/4" Nylock Nut
30	ST65154	2	1/4" Washer
31	ST65172	3	3/8" x 2-1/2" Hex Bolt
32	ST48425	2	Leg WA
33	ST48287	2	Wire Lock Pin $\phi$ 3/8" x 2"
34	ST48455	1	Leg Angle RH
35	ST48456	1	Side Shield RH
36	ST48438	4	Plastic End Cap 1-1/2"
37	ST43398	3	Lynch Pin
38	ST43399	1	Top Pin, Cat 1
39	ST43315	1	5/16" x 1-3/4" Square U-Bolt
40	ST48522	1	Shield RH
41	ST48523	2	Shield Center
42	ST48524	1	Shield LH
43	ST48520	2	3pt Side Pin Bracket
44	ST48521	2	3pt Side Pin Plate
45	ST43927	2	Rod, Spring Adjust
46	ST43926	2	Spring
47	ST65140	2	5/16" x 1" Carriage Bolt
48	ST65251	6	#10-24 x 3/8" Thread Cutting Screw

# SA10012 - Center Drive Assembly



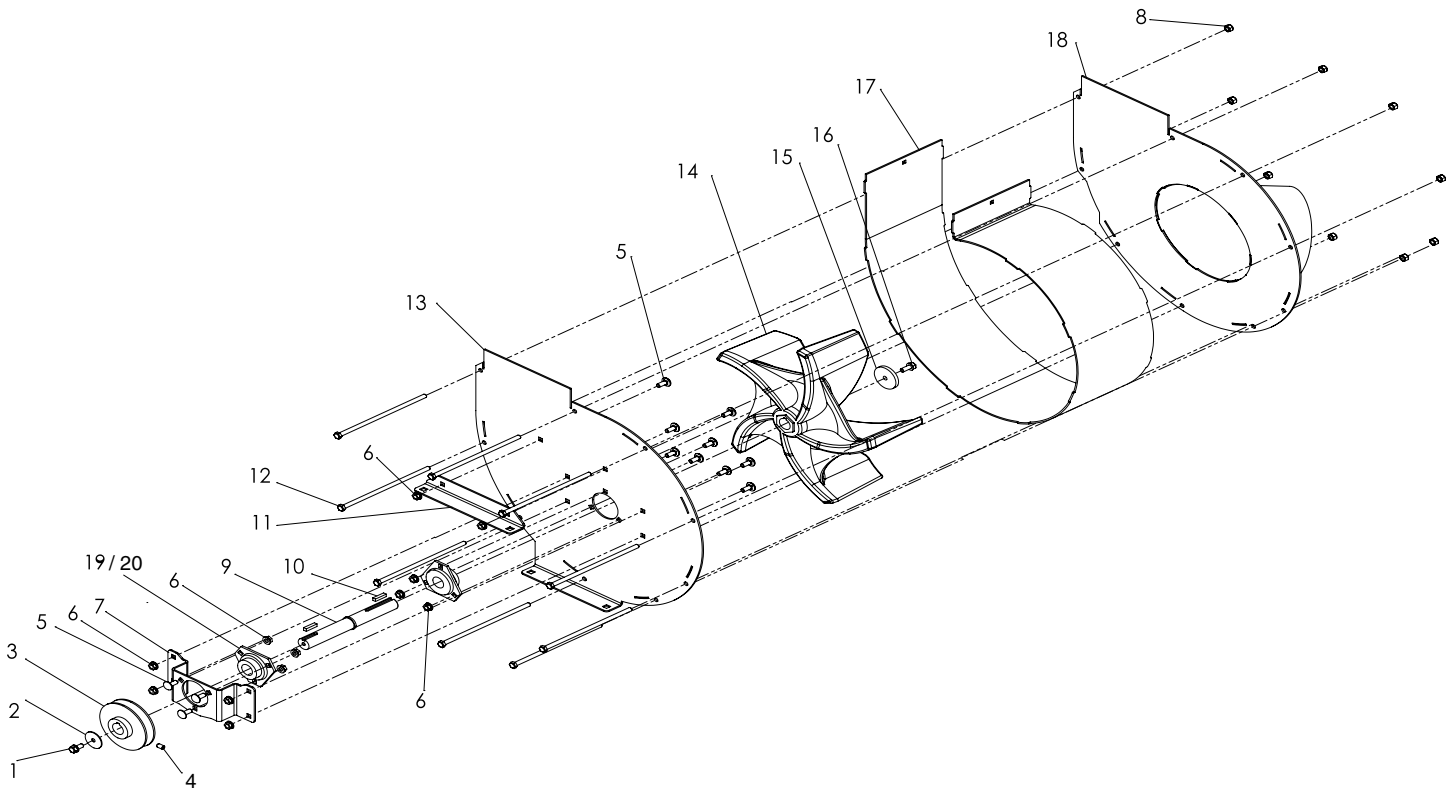
#	Part #	Qty	Description
1	ST48383	1	Shaft Brace Center Front
2	ST48384	1	Shaft Brace Center Rear
3	ST48386	1	9.75" Pulley
4	ST48525	1	Drives Brace RH
5	ST48388	1	Shaft, Center Drive
6	ST48528	1	Idler Pulley 4.5"
7	ST48390	2	Idler Bracket
8	ST65006	8	5/16" x 3/4" Carriage Bolt
9	ST65008	10	5/16" Flange Nut
10	ST65003	4	3/8" Flat Washer
11	ST65012	1	3/8" Flange Nut
12	ST65089	2	3/8" Nylock Nut
13	ST65166	1	3/8" x 1-3/4" Hex Bolt
14	ST65088	2	3/8 x 1" Hex Bolt
15	ST65209	2	1/4" Sq x 1" Key
16	ST48529	1	BK52 Belt, Carlisle Aramax
17	ST65213	1	5/16" x 1/2" Set Screw
18	ST65140	2	5/16" x 1" Carriage Bolt
19	ST48526	1	Drives Brace LH
20	ST48630	1	3 Bolt Flangette
21	ST48631	1	1" Bearing

# SA10013 - Mid Drive Assembly



#	Part #	Qty	Description
1	ST48391	1	Mid Shaft Bracket
2	ST48392	1	4.25" Pulley
3	ST48386	1	9.75" Pulley
4	ST48393	1	Shaft, Mid Drive
5	ST48394	2	Bearing Spacer
6	ST65213	2	5/16" x 1/2" Set Screw
7	ST65008	3	5/16" Flange Nut
8	ST65011	2	5/16" x 5/8" Flange Bolt
9	ST65015	2	5/16" Fender Washer
10	ST65207	3	5/16" x 1-1/4" Carriage Bolt
11	ST65209	2	1/4" Sq x 1" Key
12	ST48630	2	3 Bolt Flangette
13	ST48631	2	1" Bearing

# SA10014 - Blower



#	Part #	Qty	Description
1	ST65011	1	5/16" x 5/8" Flange Bolt
2	ST65015	1	5/16" Fender Washer
3	ST48392	1	4.25" Pulley
4	ST65213	1	5/16" x 1/2" Set Screw
5	ST65006	12	5/16" x 3/4" Carriage Bolt
6	ST65008	12	5/16" Flange Nut
7	ST48401	1	Blower Bearing Bracket
8	ST65097	9	5/16" Nylock Nut
9	ST48486	1	Blower Shaft
10	ST65209	2	1/4" sq x 1" Key
11	ST48399	1	Blower Mount Angle
12	ST65206	9	5/16" x 8" Hex Bolt
13	ST48396	1	Blower Back
14	ST48629	1	Urethane Impeller
15	ST65286	1	5/16" Fender Washer, 1/4" Thick
16	ST65014	1	5/16" x 1" Flange Bolt
17	ST48395	1	Blower Ring
18	ST48402	1	Blower Front
19	ST48631	2	1" Bearing
20	ST48630	2	3 Bolt Flangette